

right



wrong

! No visible bow wave should form!

Prerequisites:

Tires:

Vehicle weight, tire width and required tire pressure are all related. Therefore, the **required tire pressure** of the authorized tires is: **max. 4 bar**

! If the tires need to be adapted: Approval by the vehicle manufacturer is necessary!

General framework:

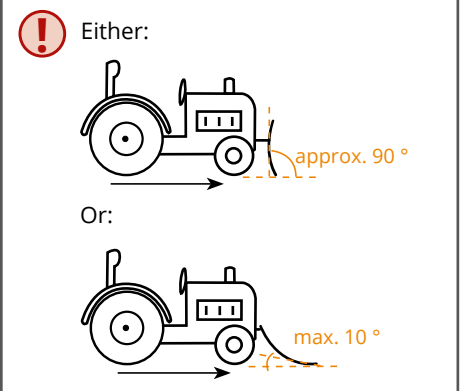
Driving mode:

- Maximum speed = half walking speed (approx. 2 km/h)
- No abrupt steering actions, do not steer while standing still
- Slow acceleration and gentle braking

The mat edges must be protected at the beginning and at the end of the alley!

Mobile manure removal:

- The cleaning blade edge must be equipped with a rubber lip
- Operation only with lowest resting pressure
- The cleaning blade is positioned either vertically or very flat on the floor



Especially for MONTA:

MONTA is compatible with vehicle traffic **up to a max. 10% slope** with standard equipment, e.g. farm yard loader or tractor.

Notice:

- Only drive straight / do not steer any radius
- Do NOT accelerate or brake suddenly on the mat