

KRAIBURG ergoBOARD

Prerequisites:



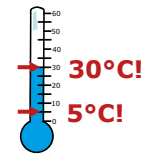
mats are already installed in the cubicles

concrete area:

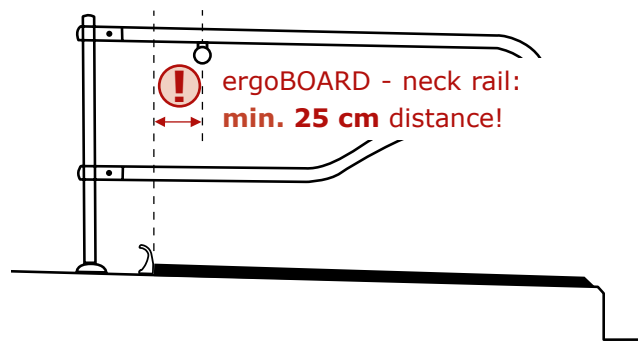
- no holes
- no elevations

ergoBOARDS:

even temperature:
min. 5° C to max. 30° C
(store according to initial temperature)

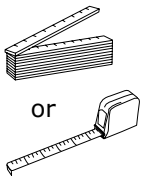


maintain minimum distance:

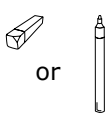


You will need this:

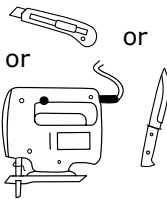
measuring:



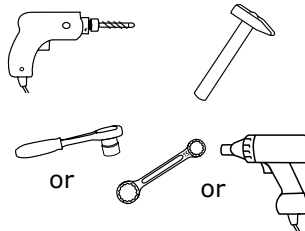
marking:



cutting:



drilling and installing:



KRAIBURG fastening elements:



- framing plugs \varnothing 10 x 80 mm with
- hexagon screw (SW 13) - A2
- washer \varnothing 40 mm - A2

(fastening elements are part of delivery)

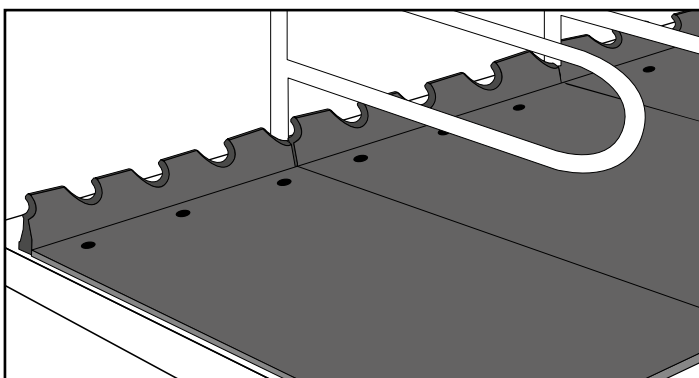


Important: use ergoBOARDS with adequate length:

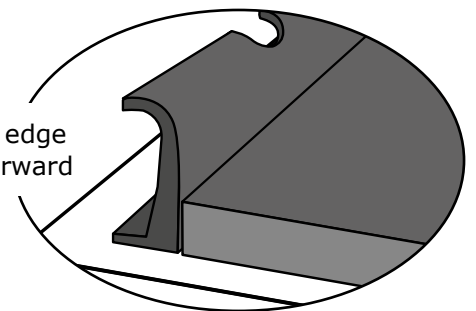
- width of lying place 115 cm: ergoBOARD with 115 cm length
 - width of lying place 120 cm or more: ergoBOARD with 120 cm length
 - width of lying place between 115 and 120 cm: mix both lengths
- (The installation of ergoBOARD is only possible at a width of lying place of at least 115 cm.)

1 Position ergoBOARDS

put together loosely and arrange **centered towards lying place**



rounded edge facing forward

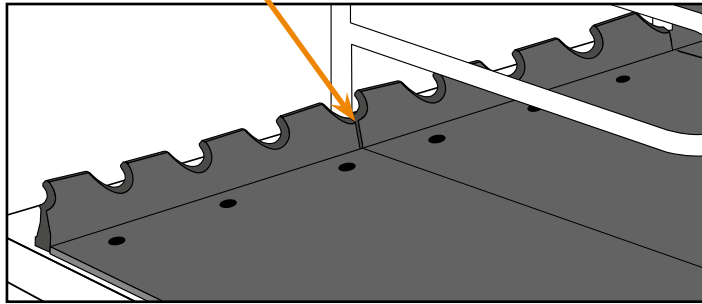


Position optionally with a gap between lying mat and ergoBOARD
-> consultation required! ☎

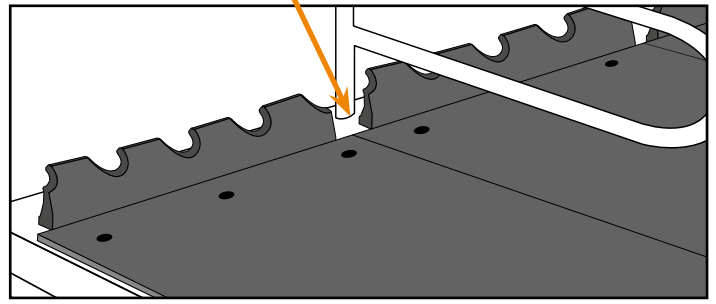
to ① Position ergoBOARDS

 Two installing options possible:

joint is under the divider (max. +/- 6 cm)



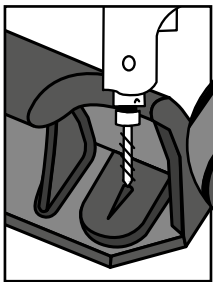
a gap between two ergoBOARDs can be possible



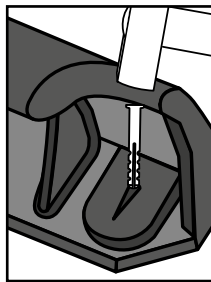
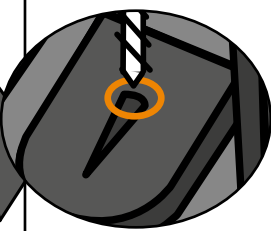
② Fastening

fasten at the pre-fabricated markings:

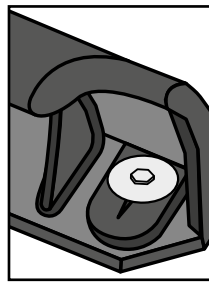
 **Fasten at each marking!**



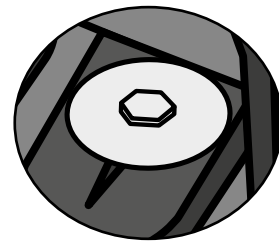
drill



pound the plastic plugs in flush



fasten screws and washers until they are seated evenly fast; **do not overtighten!**



 **Tip: avoid slippage:**

- fix at one fastening point
- afterwards drill further holes and so on

