

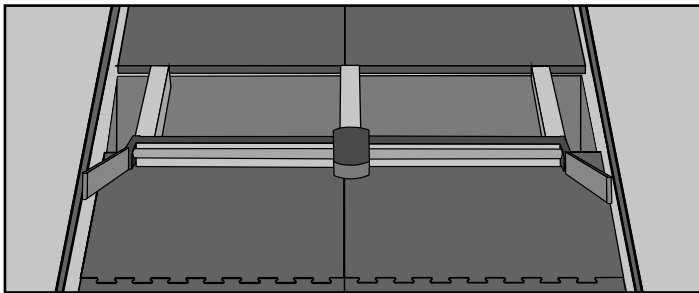
For scraper crossing above drainshaft

Prerequisites:



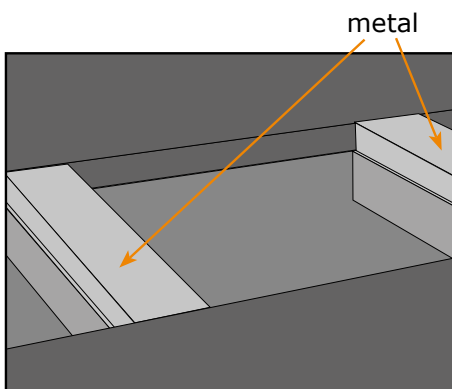
The walking area mats were installed according to the KRAIBURG installation instructions.


- fundamentally:** use scrapers especially developed for rubber floors
- structural alterations:** adapt scraper facilities in collaboration with the scraper manufacturer, according to the KRAIBURG guidelines for manure scrapers
- attention:** the crossing material should be made of metal

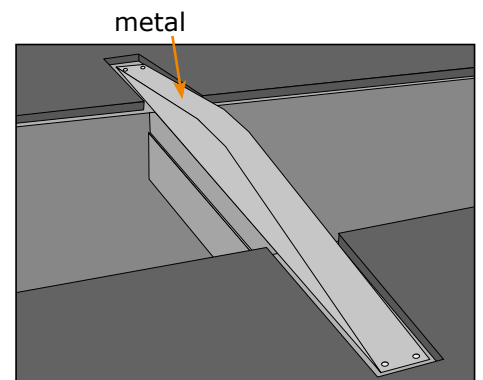



Minimum Requirements

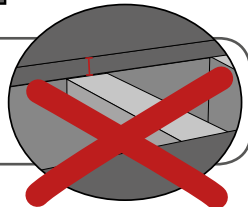
- ▶ Crossing on one level with the mat
- ▶ No steps, where the scraper can get caught!



 **Tip:** a formed bar is even better suited for passing
-> e.g. attach a formed iron



 **No steps!**
Crossing not below mat level!



Examples from practice:

